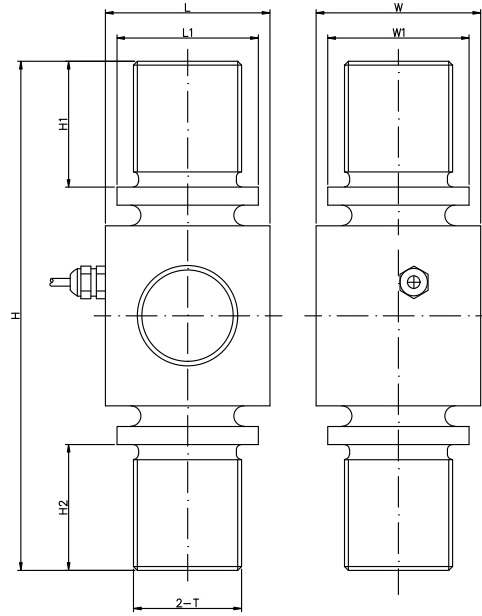


ALLOY STEEL / STAINLESS STEEL
合金钢/不锈钢



S型及拉式称重传感器

尺寸 DIMENSIONS

Rate Capacity
量程

	L	L1	W	W1	H	H1	H2	T
t/mm								
10	64	55	64	55	198	49	49	M42 × 3
30	100	90	95	90	320	84	84	M56 × 3
50	120	100	100	100	370	96	96	M64 × 3
klb/inches(conversion of above dimensions 由以上尺寸转换)								
22.04	2.52	2.17	2.52	2.17	7.79	1.93	1.93	M42 × 3
66.14	3.94	3.54	3.74	3.54	12.60	3.31	3.31	M56 × 3
110.23	4.72	3.94	3.94	3.94	14.57	3.78	3.78	M64 × 3

技术参数 SPECIFICATIONS

Full Scale Output 灵敏度输出	2.0 ± 10% mV/V	Recommended Excitation 使用电压	10V(15V Maximmm)
Zero Balance 零点输出	± 0.02mV/V	Insulation Resistance 绝缘阻抗	>2[50V DC]G Ω
Nonlinearity 非线性	< ± 0.017%	Nominal Temperature Range 工作温度	-10°C to 40°C / 14°F to 104°F
Repeatability 重复性	< ± 0.017%		
Hysteresis Error 滞后	< ± 0.017%	Safe Overload 安全过载	150% of full scale
Creep in 30 min 30分钟蠕变	< ± 0.02%	Breaking Overload 极限过载	200% of full scale
Input Resistance 输入电阻	350 Ω ± 10	IP Rating 防护等级	IP67
Outnput Resistance 输出电阻	350 Ω ± 3	Cable Color Code 颜色码	Exc(输入)+:Red(红);Exc(输入) -Black(黑);Sig(输出)+Green(绿); Sig(输出)-:Whit白 Shield Bare(屏蔽)
Element Materia 材质	Alloy steel/Stainless steel 合金钢/不锈钢		

635H

Special Features
特征

- ◆ 符合OIML认证指标
- ◆ Comply with OIML C3
- ◆ Ip67防护
- ◆ Protection to Ip67
- ◆ 防爆级(Ex ib II CT4)
- ◆ Explosion proof version (Ex ib II Ct4)